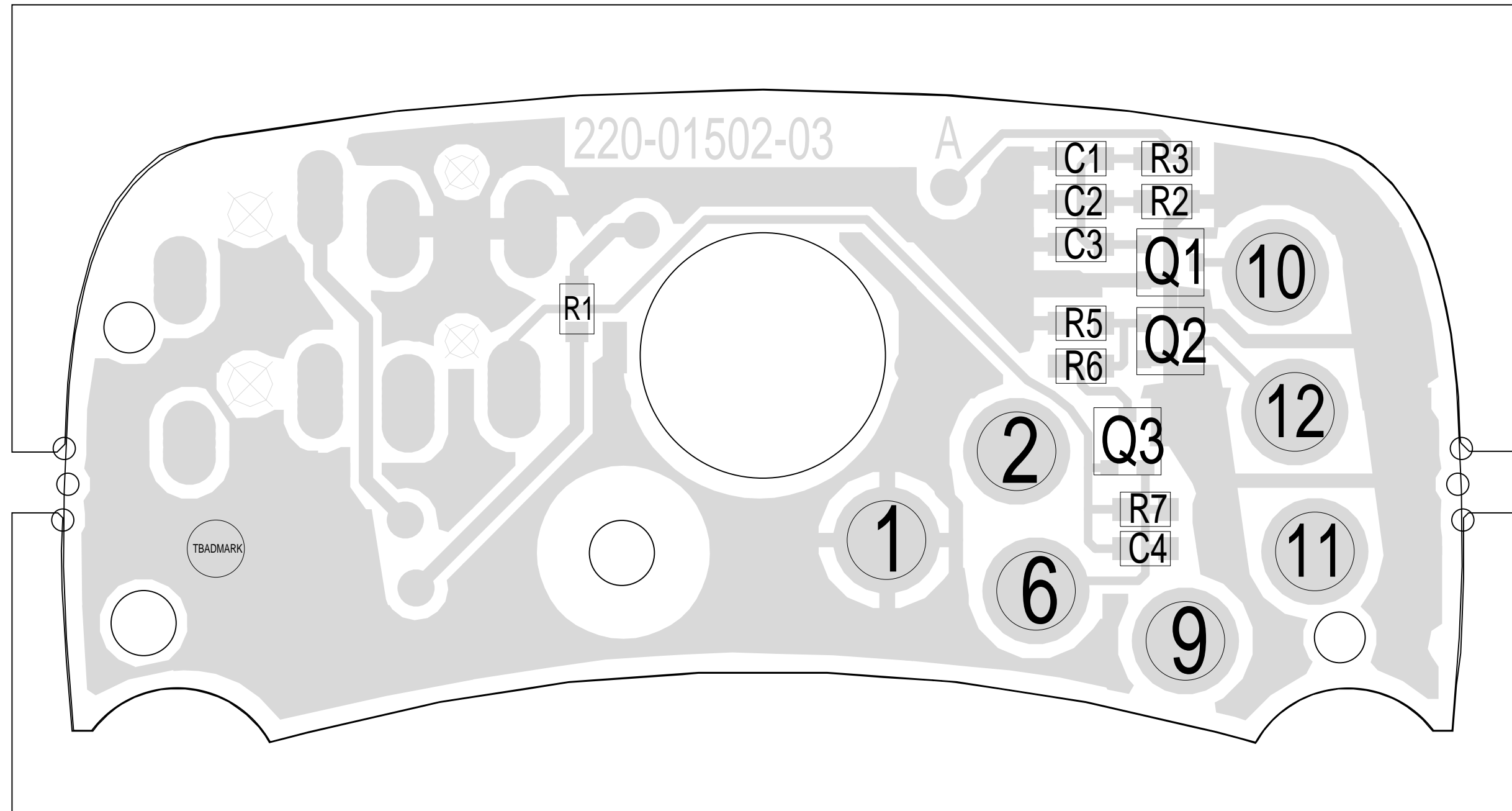


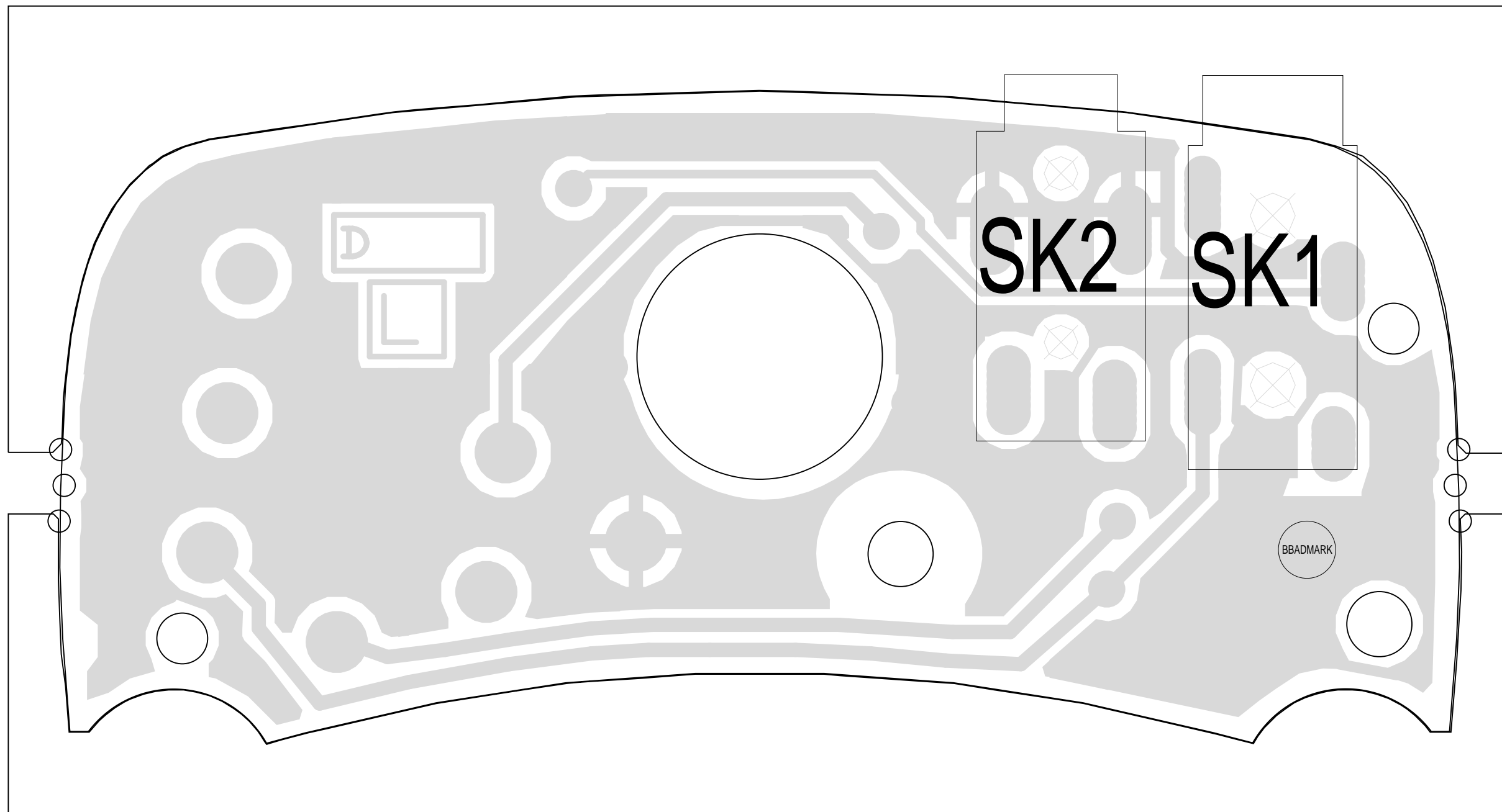
3A	MADE BREAKOUTS MORE EFFECTIVE	ADAM-D		24/11/97
2A	CHANGED SOCKETS ROUND	ADAM-D		11-09-97
A		SD		20-08-97

© ORCA AUXILIARY CONNECTOR PCB MOTOROLA				
220-01502-03	3A	1		
ORCA	ADAM-D	150203A	24/11/97	1



TAIT ELECTRONICS	IPN: 220-01502-03	ISS: 3	ID: 1.TA	DATE: 20 Jan 1998
MOTAUXCON PCB LAYOUT - TOP SIDE				

Scale:6.1 ; Rotation: 0 degrees



TAIT ELECTRONICS	IPN: 220-01502-03	ISS: 3	ID: 2.BA	DATE: 20 Jan 1998
MOTAUXCON PCB LAYOUT - BOTTOM SIDE				

Scale:6.1 ; Rotation: 0 degrees